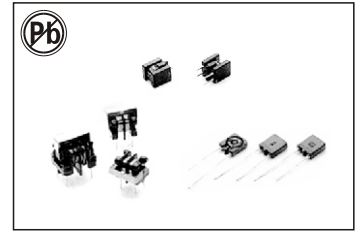


HIGH FREQUENCY EMI FILTERS

AICT SERIES

01,02,03,04



FEATURES:

- High Frequency Design
- Against radiated noise
- High Reliability
- Auto insertion

OPTIONS:

- Tape & Reel is Standard
- Custom design available

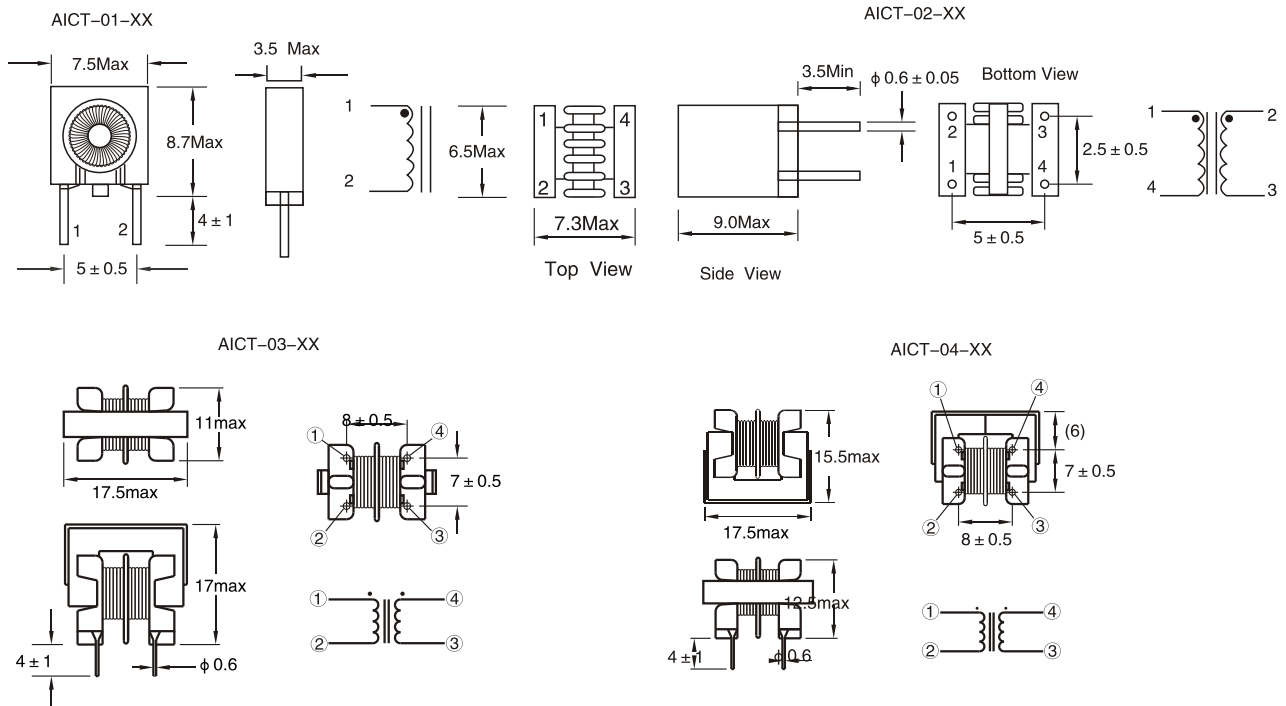
COMMON APPLICATIONS:

- PC, Word processors.
- SMPS and switching AC adaptors
- Against CMC noise at composite Video signal dataline EMI suppression!

STANDARD SPECIFICATIONS

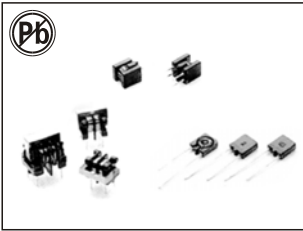
Part Number	Inductance 1KHZ,1V μ H \pm 35%	Rdc m Ω Max.	Turns Ratio \pm 0.2%	Insulation Resistance 100M Ω min	Part Number	Inductance 1KHZ,1V μ H Min	Rdc Ω Max.	Turns Ratio \pm 0.2%	Hi-Pot Isolation Voltage
AICT-01-10	10	20	-	500VDC	AICT-03-102Y	1000	0.9	1 : 1	2500V
AICT-01-30	30	30	-	500VDC	AICT-03-332Y	3300	1.2	1 : 1	2500V
AICT-01-50	50	30	-	500VDC	AICT-03-702Y	7000	2.5	1 : 1	2500V
AICT-01-70	70	34	-	500VDC	AICT-03-333Y	33000	13.5	1 : 1	2500V
AICT-02-10	10	50	1 : 1	500VDC	AICT-04-202Y	2200	1.0	1 : 1	2500V
AICT-02-30	30	50	1 : 1	500VDC	AICT-04-502Y	5000	1.6	1 : 1	2500V
AICT-02-50	50	60	1 : 1	500VDC	AICT-04-143Y	14000	5.5	1 : 1	2500V
AICT-02-80	80	60	1 : 1	500VDC	AICT-04-433Y	43000	14.5	1 : 1	2500V

TECHNICAL INFORMATION & PHYSICAL CHARACTERISTICS:



All dimensions are in mm

- Max operating voltage:250V at 40°C
 - IDC Max: rating AC/DC current A @40°C
 - Hi-Pot 2500Vac winding to winding 3S.
 - Inductance Testing: 10KHz 0.1V HP4284A
 - RDC:QuadTech 1880 Milliohm meter
 - Surge current Max 10ms: 20X IDC
 - Soldering methods:Wave,Reflow
 - Operating Temperature:0°C to 85°C
 - Storage Temperature:-25°C to 85°C
- Note:All specifications subject to change without notice.



HIGH FREQUENCY EMI FILTERS AICT SERIES

05,06,07,08

FEATURES:

- High Frequency Design
- Against radiated noise
- High Reliability
- Auto insertion

OPTIONS:

- Tape & Reel is Standard
- Custom design available

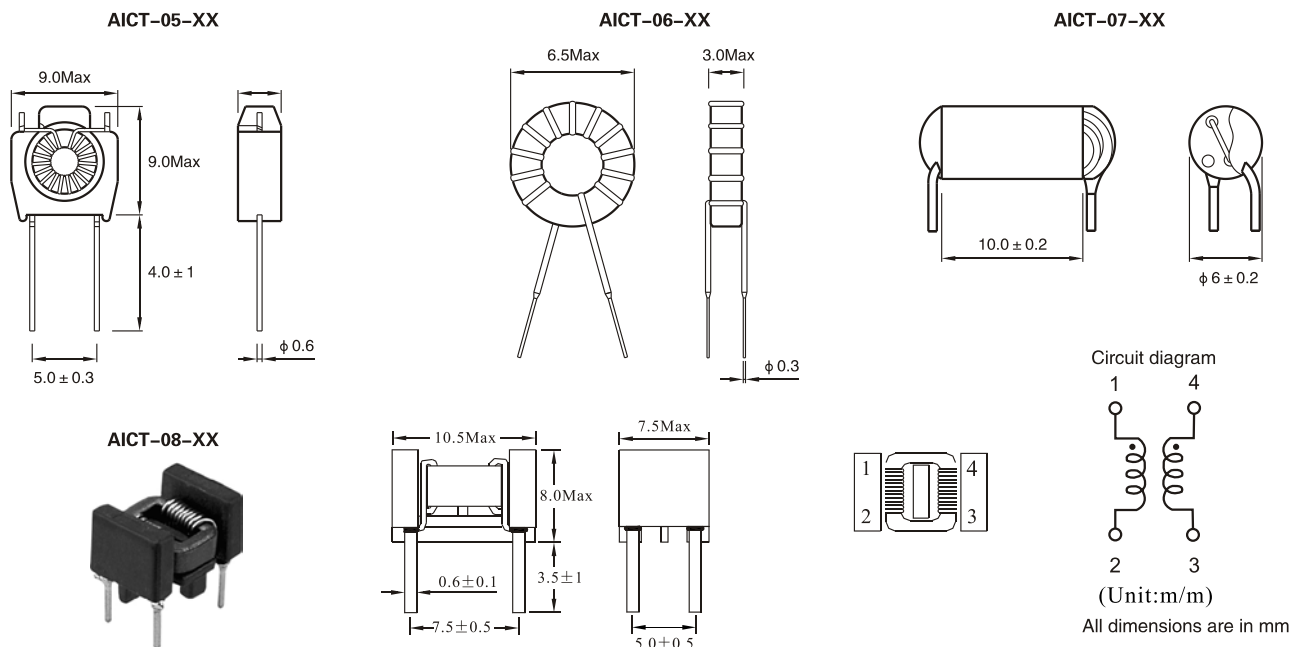
COMMON APPLICATIONS:

- PC, Word processors.
- SMPS and switching AC adaptors
- Against CMC noise at composite Video signal

STANDARD SPECIFICATIONS

AICT-05 Series				AICT-02 Series					
Part Number	Inductance 1KHZ, 1V $\mu H \pm 35\%$	Rdc m Ω Max.	Rated Current (A) Max	Part Number	Inductance 1KHZ, 1V $\mu H \pm 35\%$	Rated Current (A) Max	Rdc m Ω Max.	Turns Ratio $\pm 0\%$	Hi-Pot Isolation Voltage
AICT-05-10	10	20	1.5	AICT-08-10	10	2.0	50	1 : 1	500V
AICT-05-30	30	30	1.5	AICT-08-20	20	1.5	50	1 : 1	500V
AICT-05-50	50	50	1.5	AICT-08-50	50	1.5	50	1 : 1	500V
AICT-05-60	60	60	1.00	AICT-08-60	60	1.5	80	1 : 1	500V
AICT-06-10	10	20	1.5	AICT-08-80	80	1.5	80	1 : 1	500V
AICT-06-20	20	30	1.5	AICT-08-101	100	1.0	100	1 : 1	500V
AICT-07-10	10	50	3.0	AICT-08-201	200	0.6	150	1 : 1	500V

PHYSICAL CHARACTERISTICS

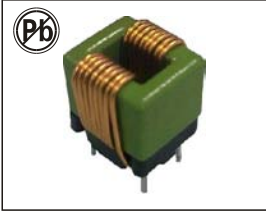


TECHNICAL INFORMATION:

- Max operating voltage: 250V at 40°C
- IDC Max: rating AC/DC current A @ 40°C
- Hi-Pot 2500Vac winding to winding 3S.
- Inductance Testing: 10KHz 0.1V HP4284A
- RDC: QuadTech 1880 Milliohmeter
- Surge current Max 10ms: 20X IDC

- Soldering methods: Wave, Reflow
- Operating Temperature: 0°C to 85°C
- Storage Temperature: -25°C to 85°C

Note: All specifications subject to change without notice.



HIGH FREQUENCY EMI FILTERS

AICT09 SERIES

FEATURES:

- High Frequency Design
- Against radiated noise
- High Reliability
- Auto insertion

OPTIONS:

- Tape & Reel is Standard
- Custom design available

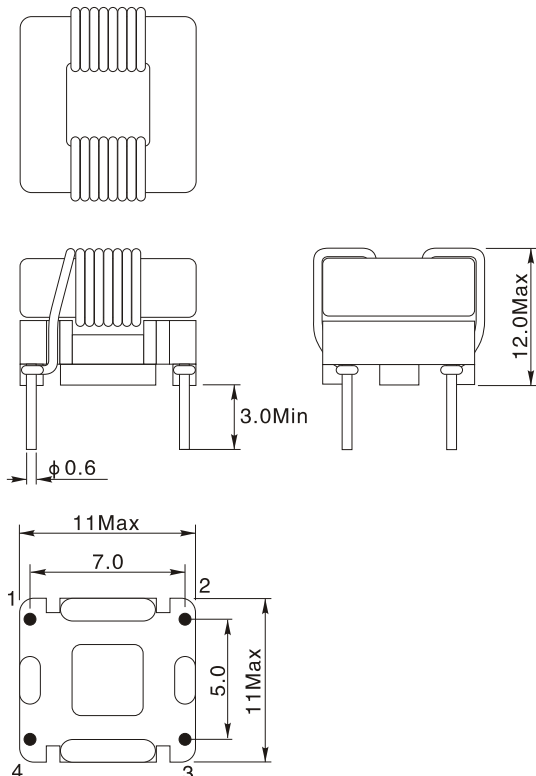
COMMON APPLICATIONS:

- PC, Word processors.
- SMPS and switching AC adaptors
- Against CMC noise at composite Video signal

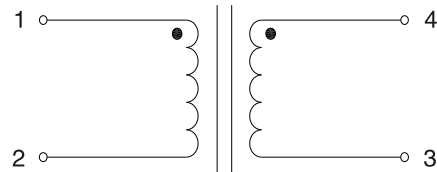
ELECTRICAL CHARACTERISTICS:

Part Number	L(uH) 10KHz,0.1V	Rated current (A)Max	DCR (mΩ)Max	Impedance (Ω)Min	
				25MHz	100MHz
AICT-09-10	10 ± 35%	2.5	50	600	1200
AICT-09-20	20 ± 35%	2.0	50	600	1200
AICT-09-50	50 ± 35%	2.0	50	600	1200
AICT-09-60	60 ± 35%	2.0	80	600	1200
AICT-09-80	80 ± 35%	2.0	80	800	1000
AICT-09-100	100 ± 35%	1.5	100	800	1000
AICT-09-200	200 ± 35%	1.0	150	800	1000

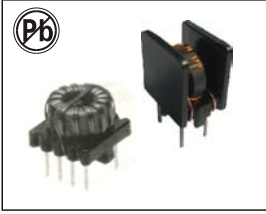
PHYSICAL CHARACTERISTICS



WINDING



- Turns ratio: 1:1
 - Rated voltage: 250VAC max@40°C
 - Insulation voltage: 1500Vac winding to winding 3S
 - Inductance Testing: 10KHz 0.1V HP4284A
 - RDC: QuadTech 1880 Milliohmeter
 - Surge current Max 10ms: 20X IDC
 - Soldering methods: Wave, Reflow
 - Operating Temperature: 0°C to 85°C
 - Storage Temperature: -25°C to 85°C
- Note: All specifications subject to change without notice.



LEADED COMMON MODE FILTERS

AICT-10/11 SERIES

FEATURES:

- High Frequency Design
- Against radiated noise
- High Reliability
- Easily inserted into the PCB

APPLICATIONS:

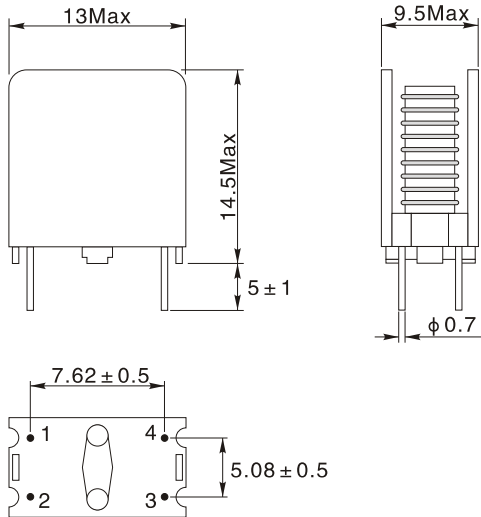
- Measures against radiated noise along interface lines in personal computers, Word processors and related equipment
- Measures against common and normal mode noise along data lines in data communication terminals and digital equipment

ELECTRICAL CHARACTERISTICS:

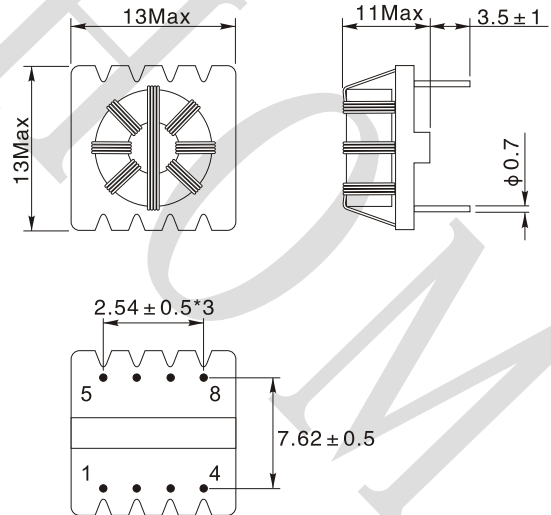
Part Number	L(uH) 1.0KHz,0.1V	Rated current (A)Max	DCR (Ω)Max	Impedance (Ω)Min
AICT-10-01	40 min.	2.0	0.04	2500@30MHz
AICT-10-02	15 min.	2.4	0.04	2000@50MHz
AICT-10-03	110 min.	3.0	0.04	2000@70MHz
AICT-10-04	6 min.	4.0	0.02	450@100MHz
AICT-11-01	---	0.5	0.36	3000@0.5MHz
AICT-11-02	---	0.5	0.10	2500@10MHz
AICT-11-03	---	0.5	0.17	1000@7MHz
AICT-11-04	---	0.5	0.12	600@7MHz

PHYSICAL CHARACTERISTICS & WINDING

AICT-10



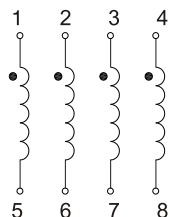
AICT-11



AICT-10



AICT-11



- Rated voltage: 50VDC
- Rated current: Temperature rise 40°C Max
- Insulation resistance: 10MΩ Min, 100VDC, between lines
- Inductance Testing: 1.0KHz 0.1V HP4284A
- RDC: QuadTech 1880 Milli ohmmeter
- Operating Temperature: -25°C to 105°C
- Storage Temperature: -25°C to 105°C

Note: All specifications subject to change without notice.