

COMMON MODE POWER LINE CHOKE ET2430V SERIES



FEATURES:

- Closed rectangular ferrite core
- 2 section winding for excellent high frequency performance
- 1% stray inductance for symmetrical interference suppression

APPLICATIONS:

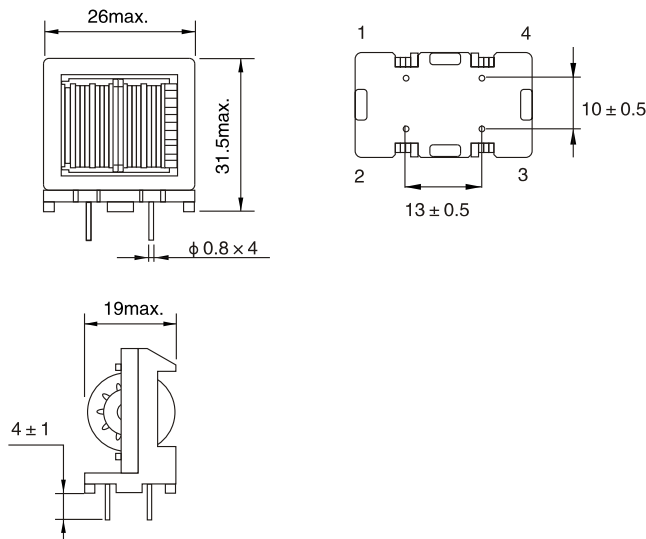
- Switch mode power supplies
- Suppression of common mode noise
- Compact switch mode power supplies
- Electronic ballast applications(LED bulb)
- Lighting

ELECTRICAL CHARACTERISTICS:

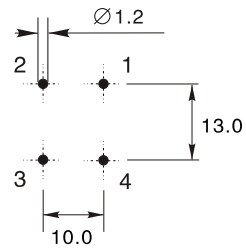
Part Number	Nominal inductance (mH) Min.	Leakage Inductance (μ H)Max.	D.C.R (Ω) Max.	Rated current I(A) Max
ET2430V-683Y0R4	68	700	2.3	0.4
ET2430V-453Y0R5	45	600	1.65	0.5
ET2430V-333Y0R6	33	500	1.2	0.6
ET2430V-253Y0R8	25	400	0.88	0.8
ET2430V-203Y1R0	20	350	0.64	1.0
ET2430V-103Y1R2	10	250	0.38	1.2
ET2430V-452Y1R5	4.5	150	0.19	1.5
ET2430V-392Y1R8	3.9	150	0.15	1.8
ET2430V-332Y2R0	3.3	100	0.11	2.0
ET2430V-242Y2R5	2.4	95	0.09	2.5

PHYSICAL CHARACTERISTICS:

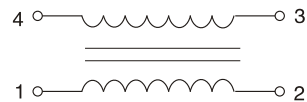
Dimensions 1



Hole pattern(in mm)



Winding



Notes:

Rated voltage.....250Vac
 Frequency.....50/60Hz
 Insulation test voltage..... 2000V
 Operating temperature.....-25 °C to +125 °C
 Housing..... UL94 V-0