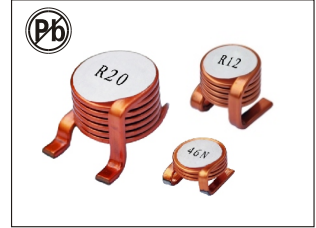


AIR CORE COIL, HIGH CURRENT POWER INDUCTOR RC1212 SERIES



Our RC high-current, high-power air core inductors can handle up to 57 Amps with no core loss. Their size results in excellent Q factors – up to 230 at 400 MHz. Inductance values range from 22 nH to 117 nH, all with ± 20% tolerance. High-reliability versions are available for space, military, and other critical applications.

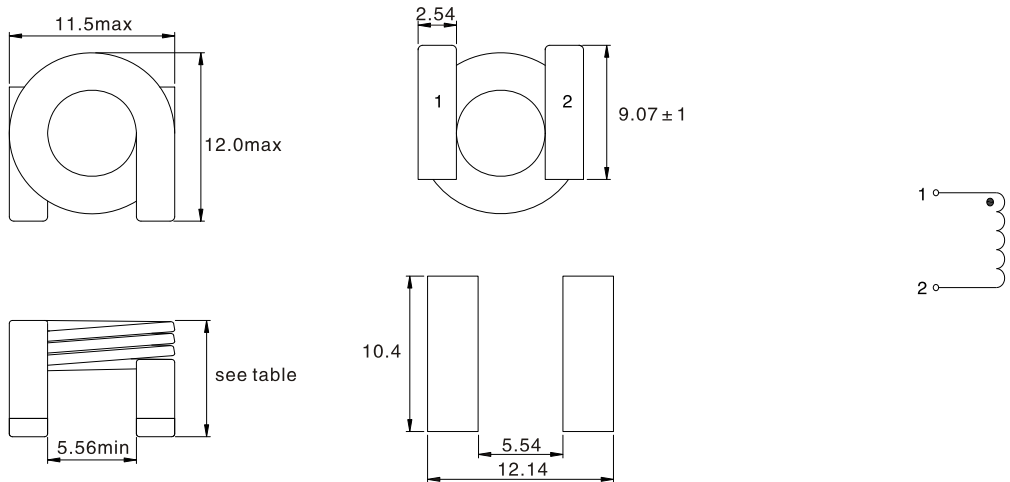
- Compact size using flat wire
- High current, high frequency power inductors
- Excellent Q factors – up to 230 at 400 MHz
- Current handling as high as 40.5Amps
- RoHScompatible.

ELECTRICAL CHARACTERISTICS@25°C

Part No.	Inductance (nH) ± 20%	DCR (mΩ)Max	Quality factor		SRF (MHz)	Temperature rise 20°C current (A)Max	Temperature rise 40°C current (A)Max	Height (mm)Max
			Q	MHz				
RC1212-22NM	22	0.55	200	100	918	40.5	57.0	6.6
RC1212-42NM	42	0.77	195	50	557	38.0	52.0	7.6
RC1212-66NM	66	0.99	200	50	480	35.0	48.0	8.8
RC1212-90NM	90	1.21	175	50	444	33.0	45.0	10.4
RC1212-R12M	117	1.43	165	50	399	32.0	44.0	11.3

TECHNICAL INFORMATION & PHYSICAL CHARACTERISTICS:

Dimensions(mm)



LAND PATTERNS

- Inductance is measured with a LCR meter 4284A or equivalent. Test frequency at 1MHz/0.1V
- DC resistance is measured with 16502 Milliohm Meter, or equivalent. Reference ambient temperature 25°C
- Q measured at the specified frequency using HP4991A impedance analyzer or equivalent.
- SRF measured using HP4991A impedance analyzer or equivalent.
- Current that causes the specified temperature rise from 25°C ambient. This information is for reference only and does not represent absolute max. ratings.
- Operatingtemperature:-40°C~+220°C.Including self temperature rise.

INDUCTANCE VS FREQUENCY

